

SPECIFICATION

Wattage:	Various
Supply voltage:	220-240V 50/60Hz
Ingress protection IP:	IP65
Impact protection IK:	IK08
Colour temperature:	3000K/ 4000K
Driver:	Tridonic
Chip:	Samsung
Power factor:	>0.95
Lifetime @ L80B50:	75 000hrs

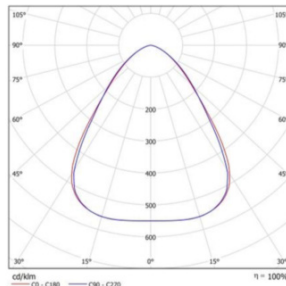


DESCRIPTION

A high-efficiency LED high-bay luminaire with 90° optics for high mounting applications.

IES/LDT files available on request.

PHOTOMETRIC



FURTHER INFORMATION

Mounting: Suspended

Body: Die-cast Aluminium
Colour: Dark Grey finish

Available on request;
Dimming: DALI

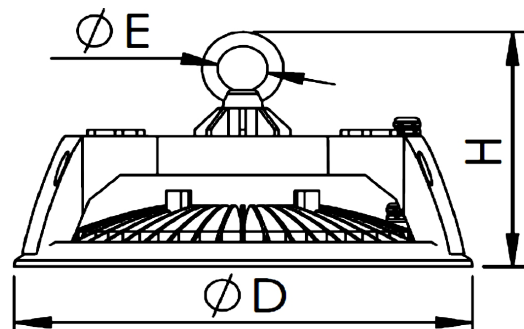
AVAILABLE OPTIONS

Rated power(W)	Lumens (lm)	Colour Temperature (K)	CRI	Luminaire Efficacy(lm/W)	Beam Angle	Dimensions L H(mm)
77.7	11915	4000	>80	153	90°	ø300 x 200
125.0	19524	4000	>80	156	90°	ø335 x 200
166.1	26076	4000	>80	157	90°	ø380 x 200

TECHNICAL DRAWINGS



- Product: Suspension kit 1.5m
- Product: Suspension kit 3.0m
- Product: Suspension kit 5.0m



Ø D, mm	H, mm	E, mm
300	200	36
335		
380		