

# LUNAR 60 PANEL



A 598mm x 598mm square back lit panel with high lumen output that can be recessed or suspended.



Back lit panel



5 Year Warranty



## Specification.

- 35 watt
- 2,716 lumens
- 163 degree beam angle
- L70 Rating - 50,000 hours
- P.F 0.94
- IES/LDT Files Available

## Applications.

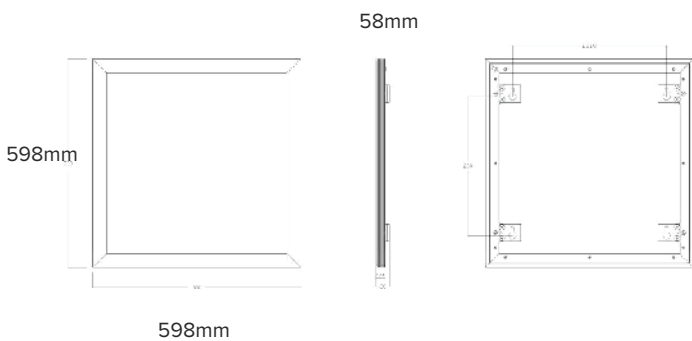
- Office, School, Retail, NHS, Home

## Dimensions.

- 598mm x 598mm x 58mm
- 1.2 KGS

## Options.

- Dimmable: Dali/1-10v/mains
- Emergency: Integral emergency pack or Allied 1w emergency button cell
- Fixings: Recessed, Suspended
- 3000-3500k, 4000k-4500k, 6000k-6500k



Carbon Trust Accredited Suppliers have undergone an independent accreditation process to demonstrate their skills and experience in delivering low energy, high performance solutions.

### Customise your product: AL-LNR60...

WW	3000-3500k
NW	4000-4500k
PW	6000-6500k
DIM	Main Dimmable
DALI	Dali Dimmable
1-10v	1-10v Dimmable