

SPECIFICATION

Wattage:	11.1W
Supply voltage:	220-240VAC 50/60Hz
Ingress protection IP:	IP65
Impact protection IK:	IK10+
Colour temperature:	3000K/4000K
Driver:	Tridonic
Chip:	Samsung
Power factor:	>0.95
Lifetime @ L80B50:	100 000hrs
Diffuser:	Opal polycarbonate, 4mm, UV stabilized, vandal resistant

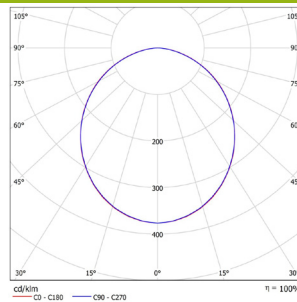


DESCRIPTION

A surface wall-mounted IP65 LED luminaire designed to withstand extreme vandalism in public areas.

IES/LDT files available on request.

PHOTOMETRIC



FURTHER INFORMATION

Mounting: Surface

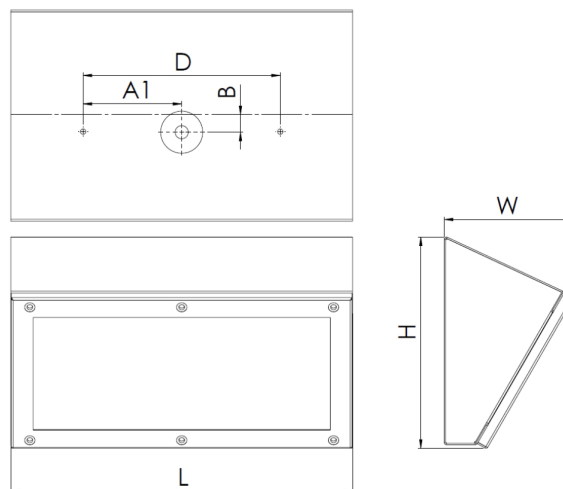
Body: Zinc-plated sheet steel
Colour: White polyester powder finish

Available on request;
Dimming: DALI, Switch Dimming
Sensor: Microwave
Integrated anti-vandal switch
RAL Colours

AVAILABLE OPTIONS

Rated power(W)	Lumens (lm)	Colour Temperature (K)	CRI	Luminaire Efficacy(lm/W)	Beam Angle	Dimensions L W H(mm)
11.1	1144	4000	>80	103	120°	390 x 110 x 150

TECHNICAL DRAWINGS



L, mm	W, mm	H, mm	D, mm	A, mm	B, mm
390	110	150	225	112,5	20