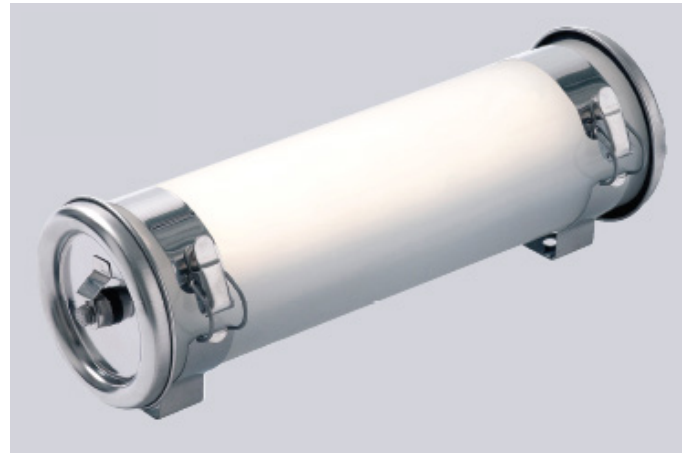


SPECIFICATION

Wattage:	2.2W
Supply voltage:	220-240V 50/60Hz
Ingress protection IP:	IP68
Impact protection IK:	IK10
Colour temperature:	4000K
Driver:	Branded
Chip:	Branded
Power factor:	>0.95
Lifetime @ L70:	50 000hrs
Diffuser:	Polycarbonate



DESCRIPTION

The Allied 2W IP68 Bulkhead S is an extremely protected fitting with an IK rating of IK10 and an IP rating of IP68. Providing a high lumen per watt.

Compliant with EN 60 598-1, EN 60598-2-22

IES/LDT files available on request.

PHOTOMETRIC

FURTHER INFORMATION

Mounting: Surface

Body: Polycarbonate
Colour: Silver

AVAILABLE OPTIONS

Rated power(W)	Lumens (lm)	Colour Temperature (K)	CRI	Luminaire Efficacy(lm/W)	Beam Angle	Dimensions L W H(mm)
2.2	440	4000	>80	200	120°	385 x ø100 x ø123

TECHNICAL DRAWINGS

