

LUCID 60 PANEL

A 595mm x 595mm square panel with high lumen output that can be surface mounted, recessed or suspended.



matt diffuser



5 Year Warranty



Specification.

- 39 watt
- 3,200 lumens
- 120 degree beam angle
- L70 Rating - 50,000 hours
- P.F 0.95
- IES/LDT Files Available

Applications.

- Office, School, Retail, NHS, Home

Dimensions.

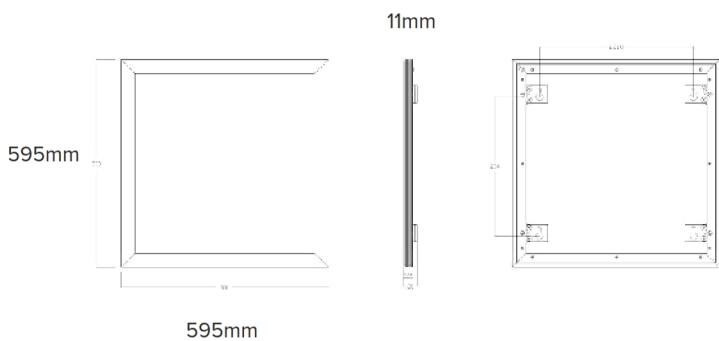
- 595mm x 595mm x 11mm
- 3.97 KGS

Options.

- Dimmable: Dali/1-10v/mains
- Emergency: Integral emergency pack or Allied 1w emergency button cell
- Fixings: Recessed, Mounted, Suspended
- 3000-3500k, 4000k-4500k, 6000k-6500k



Carbon Trust Accredited Suppliers have undergone an independent accreditation process to demonstrate their skills and experience in delivering low energy, high performance solutions.



Customise your product: AL-LCD60...

WW	3000-3500k
NW	4000-4500k
PW	6000-6500k
WT	White Trim
ST	Silver Trim
DIM	Main Dimmable
DALI	Dali Dimmable
1-10v	1-10v Dimmable