

AR111

An LED AR111 Luminaire with a 40 degree beam angle, ideal for a wide range of lighting applications.



COB Style



5 Year Warranty



Specification.

- 12w - 663 lumen
- 16w - 1,300 lumen
- 40 degree beam angle
- L70 Rating - 50,000 hours
- P.F 0.95
- IES/LDT Files Available

Applications.

- Office, School, Retail, NHS, Home

Dimensions.

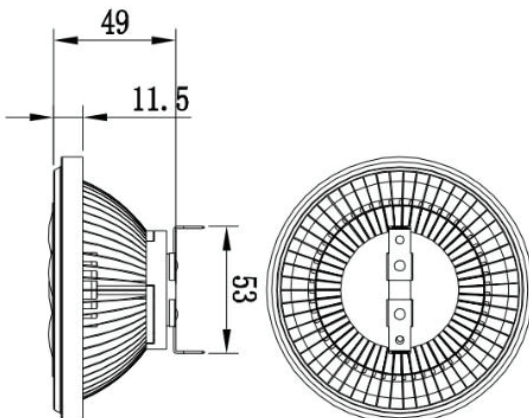
- 111mm x 49mm
- 1.2 KGS

Options.

- Dimmable: Dali/1-10v/mains
- Emergency: Allied 1w emergency button cell
- Fixings: G53 or GU10
- 3000-3500k, 4000k-4500k, 6000k-6500k
- COB / SMD Style



Carbon Trust Accredited Suppliers have undergone an independent accreditation process to demonstrate their skills and experience in delivering low energy, high performance solutions.



Customise your product: AL-AR111....

WW	3000-3500k
NW	4000-4500k
PW	6000-6500k
WT	White Trim
ST	Silver Trim
SMD	Surface Mount diode
COB	Chip On Board

*Other style / wattage available